

9642 Magnetic rail 6003 Joker Imperial 1 Ring spanner set, 8 pieces

6003 Joker Combination wrench - Open end with return angle of just 15°. When things get tight.



EAN:	4013288229878	Size:	380x160x45 mm
Part number:	05020235001	Weight:	1131 g
Article number:	9642	Country of origin:	CZ
		Customs tariff number:	82041100

- Imperial
- 8-piece set
- With its strong magnet, the rail holds securely to metal surfaces. It can also be bolted to the wall.
- The clips hold the tools perfectly
- Especially suitable for tight spaces
- The special open end geometry expands the placement possibilities of the tool
- The low return angle in the open end "takes" the screw every 15°
- Slim ring side with 15° crank

Ring spanner set, 8-piece set, imperial sizes; on a magnetic rail. With its combination of the 7.5° offset open end and the double hexagon geometry, the Joker 6003 doubles the placement points. A repeated 180° turn of the wrench around the longitudinal axis during screwdriving provides four placement possibilities, and bolts or screw heads can be engaged every 15°. This makes screwdriving much easier, especially in confined spaces. The slim yet robust ring side is tilted by 15° to the tool axis. The high-quality surface treatment achieves a high and long-lasting corrosion protection. With "Take it easy" Tool finder: Colour coding by size. The clip hold the tools perfectly. With its strong magnet, the rail holds securely to metal surfaces. It can also be bolted to the wall.

Web link

https://products.wera.de/en/joker_6003_joker_combination_wrench_open_end_with_return_angle_of_just_15_when_things_get_tight_9642.html

Wera - 9642
05020235001 - 4013288229878

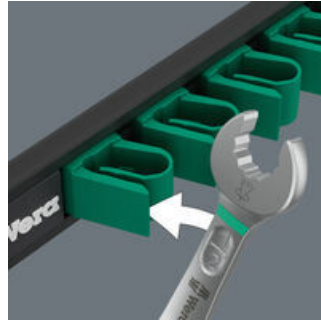
Wera Werkzeuge GmbH
Korzter Straße 21-25
D-42349 Wuppertal
Tel: +49 (0)2 02 / 40 45-0
E-Mail: info@wera.de

9642 Magnetic rail 6003 Joker Imperial 1 Ring spanner set, 8 pieces



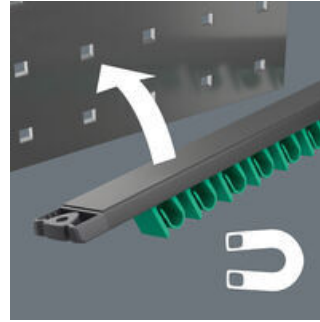
6003 Joker Combination wrench - Open end with return angle of just 15°. When things get tight.

Secure tool holding



The high-quality aluminium magnetic rail offers space for up to 11 spanners. The clamping springs hold the tools securely.

Held by magnetic force



With its strong magnet, the rail can be attached securely to metal surfaces.

Screw mounting



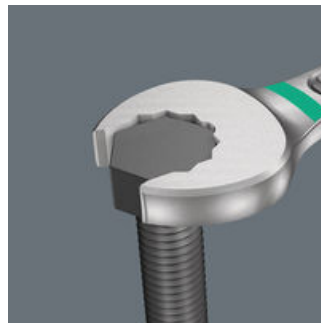
The rail can also be bolted to the wall.

For very tight spaces



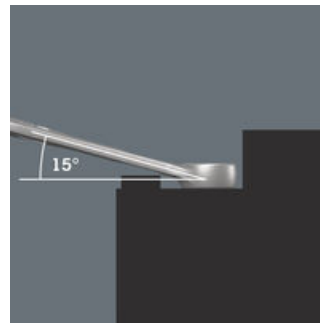
The Joker 6003 ring spanner with its special open end geometry - open end offset by 7.5° and the double hexagon profile - doubles the placement possibilities when repeatedly turning the wrench 180° around the longitudinal axis. Bolts and screw heads can be "accessed" every 15°. The Joker 6003 will automatically find the respective placement point after every turn.

Double-hex geometry



The double hexagon geometry on the open end and ring sides secures the positive connection with the screw head or bolt and reduces the risk of slipping.

Joker 6003: Tilted ring side



The ring side is tilted at 15° to the tool axis to prevent injury.

Joker 6003: For return angles of less than 30°



Thanks to the open end side offset by 7.5°, double hexagon geometry and an adjusted application method (placement - screwdriving - turning - replacement - screwdriving - turning, etc), even screwdriving challenges allowing a return angle of less than 30° can be solved.

Web link

https://products.wera.de/en/joker_6003_joker_combination_wrench_open_end_with_return_angle_of_just_15_when_things_get_tight_9642.html

Wera - 9642

05020235001 - 4013288229878

Wera Werkzeuge GmbH

Korzter Straße 21-25

D-42349 Wuppertal

Tel: +49 (0)2 02 / 40 45-0

E-Mail: info@wera.de

9642 Magnetic rail 6003 Joker Imperial 1 Ring spanner set, 8 pieces



6003 Joker Combination wrench - Open end with return angle of just 15°. When things get tight.

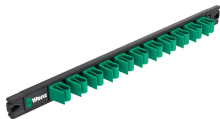
Set contents:

6003 Joker Combination wrench, Imperial, 5/16" x 115 mm



05020211001	1x	5/16" x 115 mm
05020212001	1x	3/8" x 125 mm
05020214001	1x	1/2" x 160 mm
05020215001	1x	9/16" x 167 mm
05020218001	1x	3/4" x 230 mm
05020213001	1x	7/16" x 135 mm
05020216001	1x	5/8" x 182 mm
05020217001	1x	11/16" x 210 mm

9610 Joker Magnetic rail, for up to 11 spanners, empty, 30 x 370 mm



05136413001	1x	30 x 370 mm
-------------	----	-------------

Web link

https://products.wera.de/en/joker_6003_joker_combination_wrench_open_end_with_return_angle_of_just_15_when_things_get_tight_9642.html

Wera - 9642

05020235001 - 4013288229878

Wera Werkzeuge GmbH

Korzter Straße 21-25

D-42349 Wuppertal

Tel: +49 (0)2 02 / 40 45-0

E-Mail: info@wera.de